



quotes@imphercort.com

RFQ End Mill

Please fill in the below information as complete as possible to quickly receive the most accurate quote possible.

*Standard tolerances are shown. If tighter tolerance required please note on drawing or "Comments" section below.

Company Name:

Date:

Company Type: Distributor

End User

Sales Rep:

Quoting Contact Name:

Email:

Technical Contact (if possible):

Email:

Phone:

Fax:

Preferred contact method: Email

Phone

Fax

If **NEW** customer please fill out below:

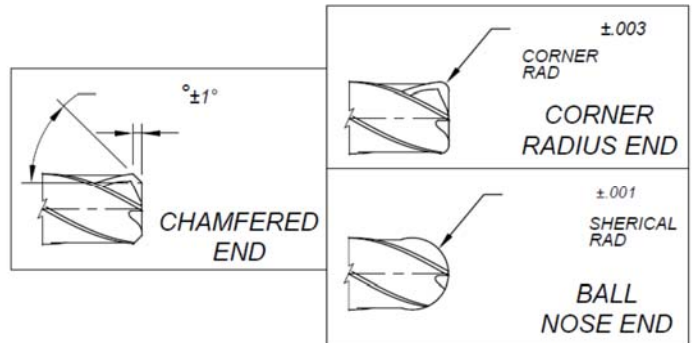
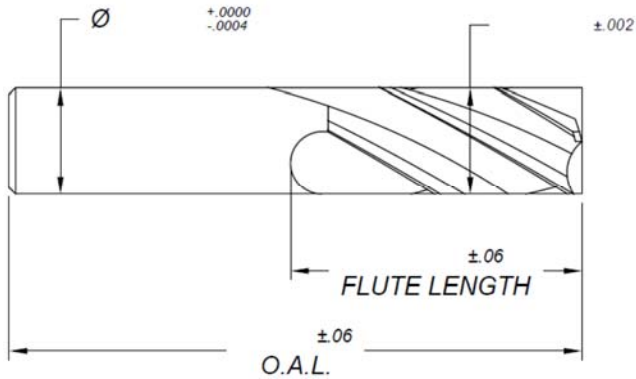
*An account application will be emailed

Requesting terms account? : Yes*

No

Later

* All orders will be cc until terms are approved



Tool No:

IHC assigned

Material to be cut:

IHC* *indicates IHC recommendation / standard

of flutes:

Flute configuraion: Helical Straight

Coating:

Quote with and without

Coolant fed: Yes No

Quote with and without

Quantities to quote:

Comments: (issues with current tool, areas of concern, delivery target, cost target, etc.)