



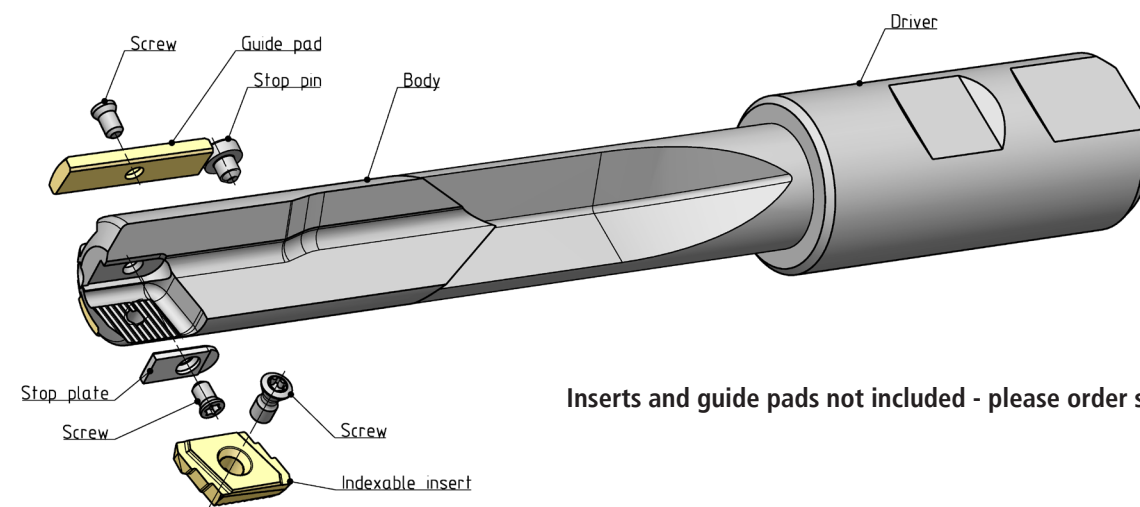
### Information / Advantages

#### Information Stock program Deep hole drilling tools Type 01

- Modern high performance deep hole drilling tools Type 01 now available as new stock program.
- **Ex stock (subject to prior sale).**
- Dimensions ideally suited for machining centers with inner coolant supply.
- Type 01 stock tools are standard version with 2 guide pads.
- Driver Weldon as per DIN1835-B / DIN6535-HB.
- Type 01 stock tools **do not include inserts and guide pads - please order separately.**
- All screws and stop plate - where applicable - are included.

#### Advantages

- New, high-performance deep hole drilling tool with a modern, user-friendly design.
- Very high operational efficiency combined with optimum cutting capacity.
- **NEW:** High performance inserts with chip breaker **SP91** for high productivity and wide range of application.
- Various indexable insert chip breakers are available according to the processed material.
- No regrinding needed.
- Easy exchange of indexable inserts and guide pads on the machine. No need to adjust setting within  $\pm 0,01$  mm diameter.
- By using interchangeable parts, the drill head diameter may be adjusted within a range of 0.5 mm.
- Wide range of accessories available for use on machining centers and deep hole drilling machines.



Inserts and guide pads not included - please order separately

For technical information and requirements for application, please refer to our catalogue "Deep hole drilling tools Type 01, 02, 07" for download at [www.botek.de](http://www.botek.de).

## Express production line / Stock program

#### Express production line:

specialized in manufacturing **certain tools quickly.**

Product range:

- Single flute gundrills / Twin fluted drills with brazed carbide tip **Type 110 / Type 120**
- Single flute gundrills in solid carbide design **Type 113**
- Single flute gundrills with indexable inserts and guide pads **Type 01**

#### Stock program:

- **Deep hole drilling tools Type 01**
- **New stock program for machining centers** with indexable inserts and guide pads
- **Single flute gundrills** with brazed carbide tip Type 110
- **Single flute gundrills** in solid carbide design Type 113 - **extended size range**

More information regarding the Express order line and our stock program please see our homepage: [www.botekUSA.com](http://www.botekUSA.com)

## Service

#### • Coating:

botek has its own coating facility. Depending on the processed material, coolant and drilling conditions, we offer the matching coating to suit your application.

#### • Regrinding:

We offer a prompt and cost effective in house regrinding service.

#### • Process layout / Process optimization:

Deep and precise drilling with high process reliability - we support you.  
We review your application and develop tailored tooling solutions that perfectly match your process conditions!

- Please see our application notes, [www.botek.de](http://www.botek.de)
- Our General Standard Terms and Conditions, which we assume as known, apply.
- We reserve the right to make modifications in the interests of technical improvement. Such modifications cannot, in principle, be accepted as justifiable grounds for complaint.
- Subject to change. The manufacturer accepts no responsibility for misprints and other errors.

© 2019

250 000 224/30-2016

## botek®

DEEP HOLE DRILLING SYSTEMS SOLID CARBIDE TOOLS

botekUSA

200 N Garden Avenue  
Roselle, IL 60172

Phone (630) 893-5300

Fax (630) 893-5400

E-Mail [info@botekUSA.com](mailto:info@botekUSA.com)

[www.botekUSA.com](http://www.botekUSA.com)

**botek®**  
DEEP HOLE DRILLING SYSTEMS  
SOLID CARBIDE TOOLS

# Deep hole drilling tools Type 01 Stock program



## Single flute gundrills with indexable inserts and guide pads

