

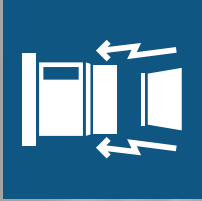


QUICK CHANGE FLEX COLLETS

Engineered Workholding
for Maximum Flexibility,
Productivity & Efficiency!



WHY QCFC?



Fast Collet Changes



High Accuracy



Wide Clamping Range



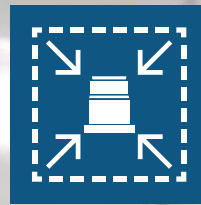
Easy Mount Design



Less Change-over Time



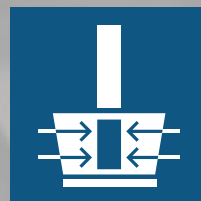
High RPM



Compact Design



**Durable, Wear
Resistant Collets**



Greater Clamping Forces

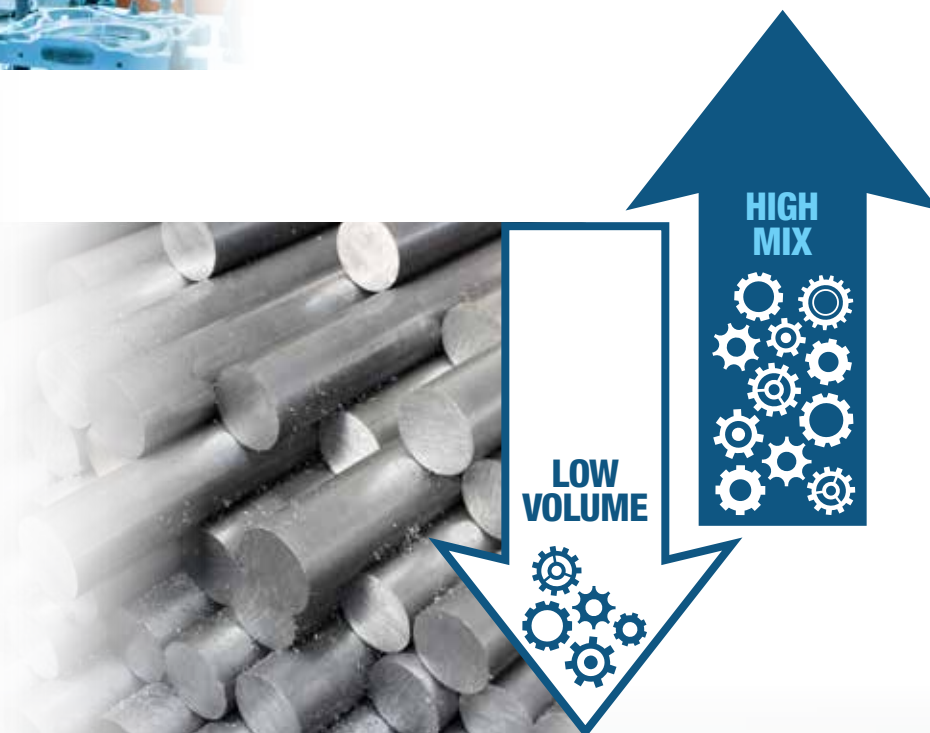
...WHY NOT QCFC?

WHERE QCFC?



PRODUCTION

- Bar Feeding
- Robot Loading



JOB SHOP

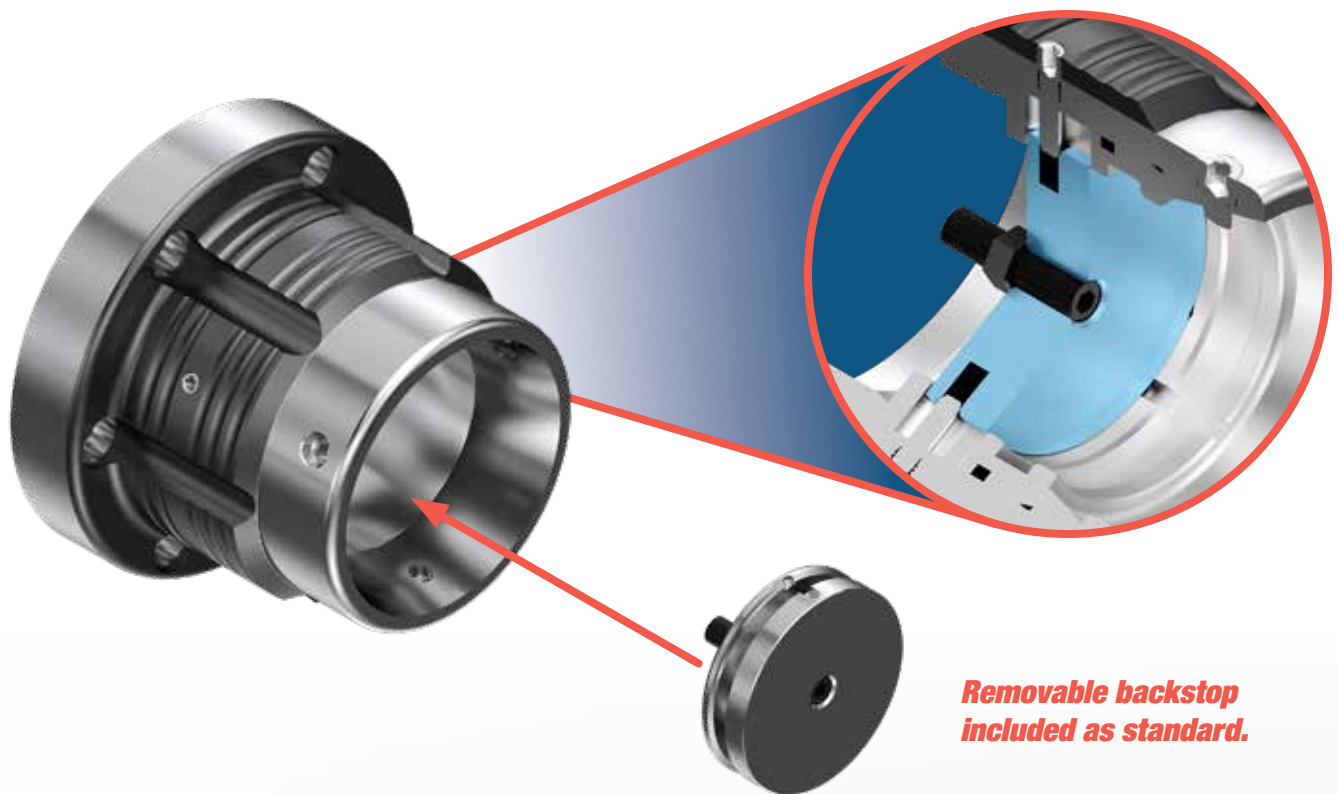
- Varying Size
- Varying Shape Material

...ANYWHERE QCFC!

TYPES OF QCFC CHUCKS

PULL **BACK-STOP** CHUCK

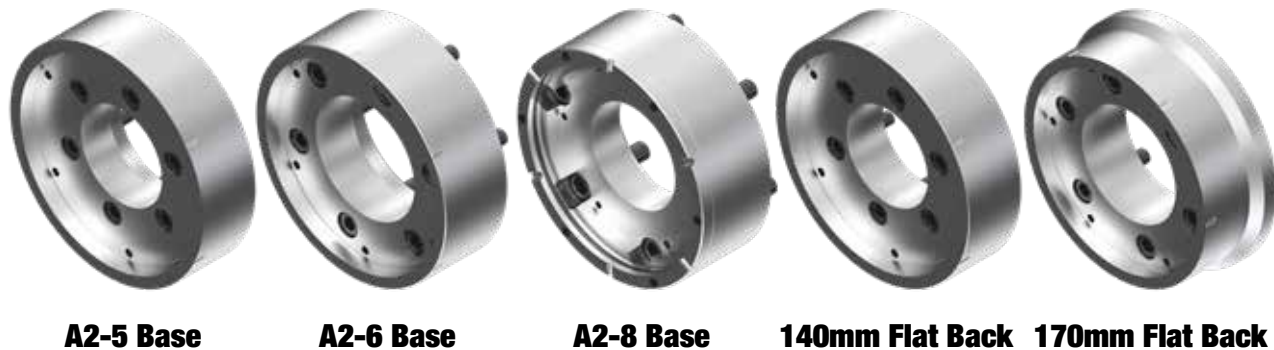
- This Pull Back-Stop Chuck offers typical axial collet movement.
- 1-piece body design provides easy installation with maximum accuracy and rigidity.
- **Flexibility of backstop or through-material applications.**
- **Removable backstop included as standard.**



***Removable backstop
included as standard.***

DEAD LENGTH MODULAR CHUCK

- This Dead Length Modular Chuck offers fixed axial collet location.
- Modular design allows for:
 - **Variable machine taper mounts** within the same series
 - Reduced weight during assembly
- Taper-to-Taper design provides easy installation with maximum accuracy.
- **Stationary removable backstop included as standard.**

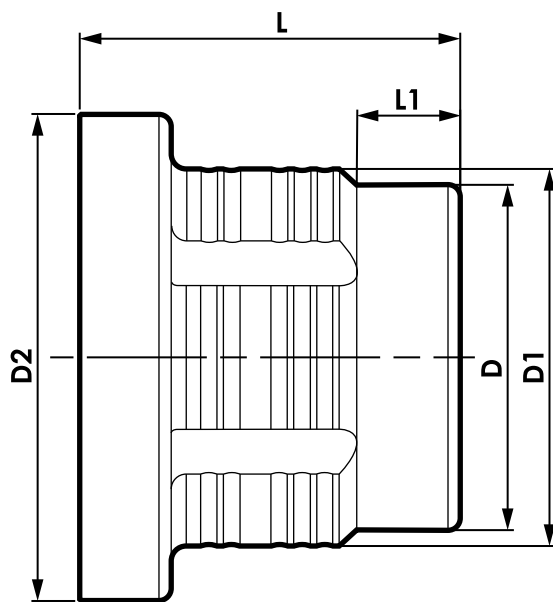


Stationary removable backstop included as standard.



QUICK CHANGE FLEX COLLET PULL BACK-STOP CHUCKS

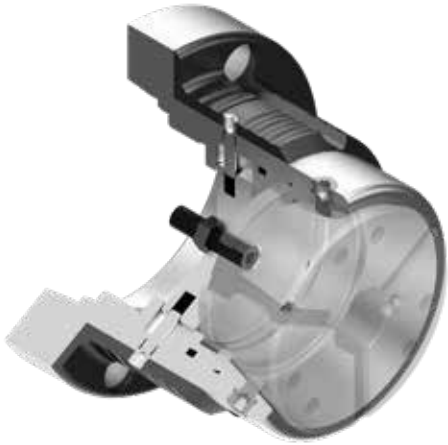
- Optimized design for rigidity and clearance.
- 1/16 collet collapse range – ideal for bar feeding applications.
- Quick change (10 sec.)
- Fast assembly to reduce change over time.
- Balanced for High RPM.



**Removable backstop
included as standard.**

Part#	RPM (Max.)	Direct Mount	Pull Back-Stop Chuck Dimensions - Inches (millimeters)				
			D	D1	D2	L	L1
QCC-PB42-140	7,000	140mm flat back	3.701" (94)	3.937" (100)	6.693" (170)	3.740" (95)	1.338" (34)
QCC-PB42-A6		A2-6			6.496" (165)		
QCC-PB65-A6	6,000	A2-6	4.488" (114)	4.921" (125)	6.299" (160)	4.921" (125)	1.338" (34)
QCC-PB65-A8		A2-8			8.268" (210)		
QCC-PB80-A6	6,000	A2-6	4.921" (125)	5.118" (130)	6.496" (165)	4.921" (125)	1.220" (31)
QCC-PB80-A8		A2-8			8.071" (205)		

PULL BACK-STOP CHUCK FEATURES



DESIGN/CONSTRUCTION

- Optimized for Maximum Rigidity: Rough and finish as you would in a 3-jaw chuck
- Wear Resistant Hardened Chromium Steel
- Small Nose Diameter for Increased Tool Clearance

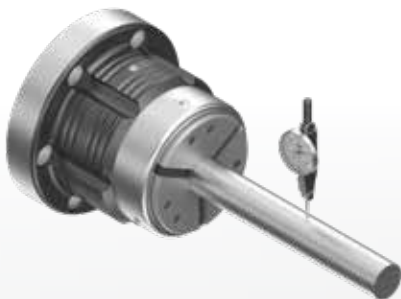


SET-UP

- Quick & Easy Installation: Switch from a 3-jaw chuck to a Collet Chuck in under 10 minutes
- Fast Collet Changes: swap collets in 10 seconds
- Removable Backstop to allow for through-material applications

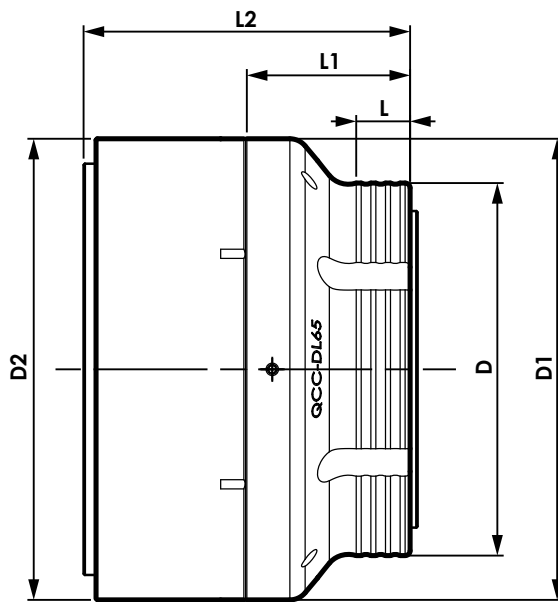
PERFORMANCE

- High Accuracy by Design
- Maximum Gripping Range (0.062"): Accommodates oversized/undersized material
- High RPM for Production Flexibility



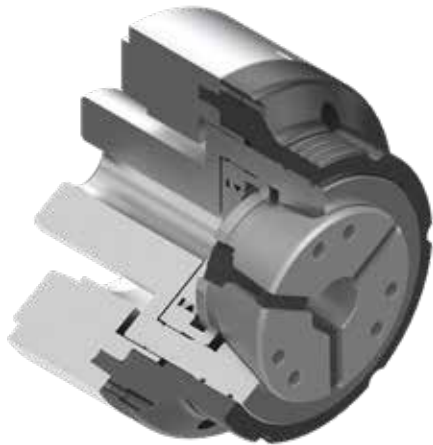
QUICK CHANGE FLEX COLLET DEAD LENGTH MODULAR CHUCKS

- Optimized design for rigidity and clearance.
- 1/16 collet collapse range – ideal for bar feeding applications.
- Quick change (10 sec.)
- Fast assembly to reduce change over time.
- Balanced for High RPM.
- Taper interface to ensure accuracy.



Part #	RPM (Max.)	Direct Mount	Dead Length Modular Chuck Dimensions - Inches (millimeters)					
			D	D1	D2	L	L1	L2
QCC-DL42-140	7,000	140mm flat back	4.724" (120)	6.496" (165)	6.496" (165)	0.827" (21)	2.362" (60)	4.055" (103)
QCC-DL42-A5		A2-5						
QCC-DL42-A6		A2-6						
QCC-DL65-140	6,000	140mm flat back	5.905" (150)	7.283" (185)	7.283" (185)	0.866" (22)	2.598" (66)	4.764" (121)
QCC-DL65-A5		A2-5						
QCC-DL65-A6		A2-6			8.268" (210)			
QCC-DL65-A8		A2-8						
QCC-DL80-170	5,500	170mm flat back	6.299" (160)	8.071" (205)	8.071" (205)	0.984" (25)	2.953" (75)	4.646" (118)
QCC-DL80-A6		A2-6						
QCC-DL80-A8		A2-8						

DEAD LENGTH MODULAR CHUCK FEATURES



DESIGN/CONSTRUCTION

- Modular Design: 2 piece design allows for modular flexibility of the collet chuck
- Wear Resistant Hardened Chromium Steel
- Small Nose Diameter for Increased Tool Clearance

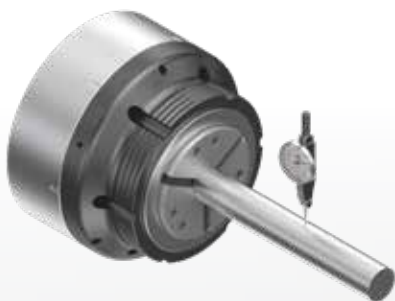


SET-UP

- Quick & Easy Installation: Switch from a 3-jaw chuck to a Collet Chuck in under 10 minutes
- Fast Collet Changes: swap collets in 10 seconds

PERFORMANCE

- High Accuracy by Design
- Maximum Gripping Range (0.062"): Accommodates oversized/undersized material
- High RPM for Production Flexibility



QUICK CHANGE FLEX COLLETS

- **Quick set-up time:** Collet can be switched to any size within seconds, not minutes.
- **Increased Precision:** Collet accuracy is 0.0004" or better.
- **Increased Grip Force:** Collet collapses parallel to work piece, not angular.
- **Increased Clamping Range:** Quick Change Flex collets allow work pieces to be up to +/- 0.031" from nominal diameter.

SMOOTH COLLETS



- Heat Treated Alloy Structural Steel
- Ground Cam Relief allows for precision repeatability and accuracy of .0004" or better
- Collets are precision paired before rubber vulcanization process to optimize roundness and cylindrical accuracy

Emergency Collets*

8mm	QCFC42-08M-EMR
15mm	QCFC42-15M-EMR
30mm	QCFC42-30M-EMR



*Emergency Collets require a Boring Ring (QCFC42-EMR-RING) not included and sold separately.

SERIES 42 SMOOTH COLLETS			WRENCH PART#: QCFC42-WRENCH		
SIZE	PART NUMBER	GRIP RANGE	SIZE	PART NUMBER	GRIP RANGE
1/4"	QCFC42-016-SMO	0.219" - 0.281"	31/32"	QCFC42-062-SMO	0.938" - 1.000"
9/32"	QCFC42-018-SMO	0.250" - 0.312"	1"	QCFC42-064-SMO	0.969" - 1.031"
5/16"	QCFC42-020-SMO	0.282" - 0.344"	1.1/32"	QCFC42-066-SMO	1.000" - 1.062"
11/32"	QCFC42-022-SMO	0.313" - 0.375"	1.1/16"	QCFC42-068-SMO	1.032" - 1.094"
3/8"	QCFC42-024-SMO	0.344" - 0.406"	1.3/32"	QCFC42-070-SMO	1.063" - 1.125"
13/32"	QCFC42-026-SMO	0.375" - 0.437"	1.1/8"	QCFC42-072-SMO	1.094" - 1.156"
7/16"	QCFC42-028-SMO	0.407" - 0.469"	1.5/32"	QCFC42-074-SMO	1.125" - 1.187"
15/32"	QCFC42-030-SMO	0.438" - 0.500"	1.3/16"	QCFC42-076-SMO	1.157" - 1.219"
1/2"	QCFC42-032-SMO	0.469" - 0.531"	1.7/32"	QCFC42-078-SMO	1.188" - 1.250"
17/32"	QCFC42-034-SMO	0.500" - 0.562"	1.1/4"	QCFC42-080-SMO	1.219" - 1.281"
9/16"	QCFC42-036-SMO	0.532" - 0.594"	1.9/32"	QCFC42-082-SMO	1.250" - 1.312"
19/32"	QCFC42-038-SMO	0.563" - 0.625"	1.5/16"	QCFC42-084-SMO	1.282" - 1.344"
5/8"	QCFC42-040-SMO	0.594" - 0.656"	1.11/32"	QCFC42-086-SMO	1.313" - 1.375"
21/32"	QCFC42-042-SMO	0.625" - 0.687"	1.3/8"	QCFC42-088-SMO	1.344" - 1.406"
11/16"	QCFC42-044-SMO	0.657" - 0.719"	1.13/32"	QCFC42-090-SMO	1.375" - 1.437"
23/32"	QCFC42-046-SMO	0.688" - 0.750"	1.7/16"	QCFC42-092-SMO	1.407" - 1.469"
3/4"	QCFC42-048-SMO	0.719" - 0.781"	1.15/32"	QCFC42-094-SMO	1.438" - 1.500"
25/32"	QCFC42-050-SMO	0.750" - 0.812"	1.1/2"	QCFC42-096-SMO	1.469" - 1.531"
13/16"	QCFC42-052-SMO	0.782" - 0.844"	1.17/32"	QCFC42-098-SMO	1.500" - 1.562"
27/32"	QCFC42-054-SMO	0.813" - 0.875"	1.9/16"	QCFC42-100-SMO	1.532" - 1.594"
7/8"	QCFC42-056-SMO	0.844" - 0.906"	1.19/32"	QCFC42-102-SMO	1.563" - 1.625"
29/32"	QCFC42-058-SMO	0.875" - 0.937"	1.5/8"	QCFC42-104-SMO	1.594" - 1.656"
15/16"	QCFC42-060-SMO	0.907" - 0.969"			

Series 42, 65 & 80 metric sizes are available upon request. Contact us for details.

SERRATED COLLETS



- Hardened serrations provide strong gripping strength for aggressive roughing of material
- Lyndex-Nikken serration lengths inside the bore are longer than the competition, providing much stronger gripping force
- Collets are precision paired before rubber vulcanization process to optimize roundness and cylindrical accuracy
- Ideal for bar feeding applications

SERIES 42 SERRATED COLLETS			WRENCH PART#: QCFC42-WRENCH		
SIZE	PART NUMBER	GRIP RANGE	SIZE	PART NUMBER	GRIP RANGE
1/4"	QCFC42-016-SER	0.219" - 0.281"	31/32"	QCFC42-062-SER	0.938" - 1.000"
9/32"	QCFC42-018-SER	0.250" - 0.312"	1"	QCFC42-064-SER	0.969" - 1.031"
5/16"	QCFC42-020-SER	0.282" - 0.344"	1.1/32"	QCFC42-066-SER	1.000" - 1.062"
11/32"	QCFC42-022-SER	0.313" - 0.375"	1.1/16"	QCFC42-068-SER	1.032" - 1.094"
3/8"	QCFC42-024-SER	0.344" - 0.406"	1.3/32"	QCFC42-070-SER	1.063" - 1.125"
13/32"	QCFC42-026-SER	0.375" - 0.437"	1.1/8"	QCFC42-072-SER	1.094" - 1.156"
7/16"	QCFC42-028-SER	0.407" - 0.469"	1.5/32"	QCFC42-074-SER	1.125" - 1.187"
15/32"	QCFC42-030-SER	0.438" - 0.500"	1.3/16"	QCFC42-076-SER	1.157" - 1.219"
1/2"	QCFC42-032-SER	0.469" - 0.531"	1.7/32"	QCFC42-078-SER	1.188" - 1.250"
17/32"	QCFC42-034-SER	0.500" - 0.562"	1.1/4"	QCFC42-080-SER	1.219" - 1.281"
9/16"	QCFC42-036-SER	0.532" - 0.594"	1.9/32"	QCFC42-082-SER	1.250" - 1.312"
19/32"	QCFC42-038-SER	0.563" - 0.625"	1.5/16"	QCFC42-084-SER	1.282" - 1.344"
5/8"	QCFC42-040-SER	0.594" - 0.656"	1.11/32"	QCFC42-086-SER	1.313" - 1.375"
21/32"	QCFC42-042-SER	0.625" - 0.687"	1.3/8"	QCFC42-088-SER	1.344" - 1.406"
11/16"	QCFC42-044-SER	0.657" - 0.719"	1.13/32"	QCFC42-090-SER	1.375" - 1.437"
23/32"	QCFC42-046-SER	0.688" - 0.750"	1.7/16"	QCFC42-092-SER	1.407" - 1.469"
3/4"	QCFC42-048-SER	0.719" - 0.781"	1.15/32"	QCFC42-094-SER	1.438" - 1.500"
25/32"	QCFC42-050-SER	0.750" - 0.812"	1.1/2"	QCFC42-096-SER	1.469" - 1.531"
13/16"	QCFC42-052-SER	0.782" - 0.844"	1.17/32"	QCFC42-098-SER	1.500" - 1.562"
27/32"	QCFC42-054-SER	0.813" - 0.875"	1.9/16"	QCFC42-100-SER	1.532" - 1.594"
7/8"	QCFC42-056-SER	0.844" - 0.906"	1.19/32"	QCFC42-102-SER	1.563" - 1.625"
29/32"	QCFC42-058-SER	0.875" - 0.937"	1.5/8"	QCFC42-104-SER	1.594" - 1.656"
15/16"	QCFC42-060-SER	0.907" - 0.969"			

SERIES 42 SERRATED QUICK CHANGE COLLETS

QUICK CHANGE FLEX COLLETS

SMOOTH COLLETS



- Heat Treated Alloy Structural Steel
- Ground Cam Relief allows for precision repeatability and accuracy of .0004" or better
- Collets are precision paired before rubber vulcanization process to optimize roundness and cylindrical accuracy

Emergency Collets*

8mm	QCFC65-08M-EMR
20mm	QCFC65-20M-EMR
30mm	QCFC65-30M-EMR
40mm	QCFC65-40M-EMR



*Emergency Collets require a Boring Ring (QCFC65-EMR-RING) not included & sold separately.

SERIES 65 SMOOTH COLLETS			WRENCH PART # QCFC65-WRENCH		
SIZE	PART NUMBER	GRIP RANGE	SIZE	PART NUMBER	GRIP RANGE
1/4"	QCFC65-016-SMO	0.219" - 0.281"	1.7/16"	QCFC65-092-SMO	1.407" - 1.469"
9/32"	QCFC65-018-SMO	0.250" - 0.312"	1.15/32"	QCFC65-094-SMO	1.438" - 1.500"
5/16"	QCFC65-020-SMO	0.282" - 0.344"	1.1/2"	QCFC65-096-SMO	1.469" - 1.531"
11/32"	QCFC65-022-SMO	0.313" - 0.375"	1.17/32"	QCFC65-098-SMO	1.500" - 1.562"
3/8"	QCFC65-024-SMO	0.344" - 0.406"	1.9/16"	QCFC65-100-SMO	1.532" - 1.594"
13/32"	QCFC65-026-SMO	0.375" - 0.437"	1.19/32"	QCFC65-102-SMO	1.563" - 1.625"
7/16"	QCFC65-028-SMO	0.407" - 0.469"	1.5/8"	QCFC65-104-SMO	1.594" - 1.656"
15/32"	QCFC65-030-SMO	0.438" - 0.500"	1.21/32"	QCFC65-106-SMO	1.625" - 1.687"
1/2"	QCFC65-032-SMO	0.469" - 0.531"	1.11/16"	QCFC65-108-SMO	1.657" - 1.719"
17/32"	QCFC65-034-SMO	0.500" - 0.562"	1.23/32"	QCFC65-110-SMO	1.688" - 1.750"
9/16"	QCFC65-036-SMO	0.532" - 0.594"	1.3/4"	QCFC65-112-SMO	1.719" - 1.781"
19/32"	QCFC65-038-SMO	0.563" - 0.625"	1.25/32"	QCFC65-114-SMO	1.750" - 1.812"
5/8"	QCFC65-040-SMO	0.594" - 0.656"	1.13/16"	QCFC65-116-SMO	1.782" - 1.844"
21/32"	QCFC65-042-SMO	0.625" - 0.687"	1.27/32"	QCFC65-118-SMO	1.813" - 1.875"
11/16"	QCFC65-044-SMO	0.657" - 0.719"	1.7/8"	QCFC65-120-SMO	1.844" - 1.906"
23/32"	QCFC65-046-SMO	0.688" - 0.750"	1.29/32"	QCFC65-122-SMO	1.875" - 1.937"
3/4"	QCFC65-048-SMO	0.719" - 0.781"	1.15/16"	QCFC65-124-SMO	1.907" - 1.939"
25/32"	QCFC65-050-SMO	0.750" - 0.812"	1.31/32"	QCFC65-126-SMO	1.938" - 2.000"
13/16"	QCFC65-052-SMO	0.782" - 0.844"	2"	QCFC65-128-SMO	1.969" - 2.031"
27/32"	QCFC65-054-SMO	0.813" - 0.875"	2.1/32"	QCFC65-130-SMO	2.000" - 2.062"
7/8"	QCFC65-056-SMO	0.844" - 0.906"	2.1/16"	QCFC65-132-SMO	2.032" - 2.094"
29/32"	QCFC65-058-SMO	0.875" - 0.937"	2.3/32"	QCFC65-134-SMO	2.063" - 2.125"
15/16"	QCFC65-060-SMO	0.907" - 0.969"	2.1/8"	QCFC65-136-SMO	2.094" - 2.156"
31/32"	QCFC65-062-SMO	0.938" - 1.000"	2.5/32"	QCFC65-138-SMO	2.125" - 2.187"
1"	QCFC65-064-SMO	0.969" - 1.031"	2.3/16"	QCFC65-140-SMO	2.157" - 2.219"
1.1/32"	QCFC65-066-SMO	1.000" - 1.062"	2.7/32"	QCFC65-142-SMO	2.188" - 2.250"
1.1/16"	QCFC65-068-SMO	1.032" - 1.094"	2.1/4"	QCFC65-144-SMO	2.219" - 2.281"
1.3/32"	QCFC65-070-SMO	1.063" - 1.125"	2.9/32"	QCFC65-146-SMO	2.250" - 2.312"
1.1/8"	QCFC65-072-SMO	1.094" - 1.156"	2.5/16"	QCFC65-148-SMO	2.282" - 2.344"
1.5/32"	QCFC65-074-SMO	1.125" - 1.187"	2.11/32"	QCFC65-150-SMO	2.313" - 2.375"
1.3/16"	QCFC65-076-SMO	1.157" - 1.219"	2.3/8"	QCFC65-152-SMO	2.344" - 2.406"
1.7/32"	QCFC65-078-SMO	1.188" - 1.250"	2.13/32"	QCFC65-154-SMO	2.375" - 2.437"
1.1/4"	QCFC65-080-SMO	1.219" - 1.281"	2.7/16"	QCFC65-156-SMO	2.407" - 2.469"
1.9/32"	QCFC65-082-SMO	1.250" - 1.312"	2.15/32"	QCFC65-158-SMO	2.438" - 2.500"
1.5/16"	QCFC65-084-SMO	1.282" - 1.344"	2.1/2"	QCFC65-160-SMO	2.469" - 2.531"
1.11/32"	QCFC65-086-SMO	1.313" - 1.375"	2.17/32"	QCFC65-162-SMO	2.500" - 2.562"
1.3/8"	QCFC65-088-SMO	1.344" - 1.406"	2.9/16"	QCFC65-164-SMO	2.532" - 2.594"
1.13/32"	QCFC65-090-SMO	1.375" - 1.437"			

Series 42, 65 & 80 metric sizes are available upon request. Contact us for details.

SERRATED COLLETS



- Hardened serrations provide strong gripping strength for aggressive roughing of material
- Lyndex-Nikken serration lengths inside the bore are longer than the competition, providing much stronger gripping force
- Collets are precision paired before rubber vulcanization process to optimize roundness and cylindrical accuracy
- Ideal for bar feeding applications

SERIES 65 SERRATED COLLETS			WRENCH PART # QCFC65-WRENCH		
SIZE	PART NUMBER	GRIP RANGE	SIZE	PART NUMBER	GRIP RANGE
1/4"	QCFC65-016-SER	0.219" - 0.281"	1.7/16"	QCFC65-092-SER	1.407" - 1.469"
9/32"	QCFC65-018-SER	0.250" - 0.312"	1.15/32"	QCFC65-094-SER	1.438" - 1.500"
5/16"	QCFC65-020-SER	0.282" - 0.344"	1.1/2"	QCFC65-096-SER	1.469" - 1.531"
11/32"	QCFC65-022-SER	0.313" - 0.375"	1.17/32"	QCFC65-098-SER	1.500" - 1.562"
3/8"	QCFC65-024-SER	0.344" - 0.406"	1.9/16"	QCFC65-100-SER	1.532" - 1.594"
13/32"	QCFC65-026-SER	0.375" - 0.437"	1.19/32"	QCFC65-102-SER	1.563" - 1.625"
7/16"	QCFC65-028-SER	0.407" - 0.469"	1.5/8"	QCFC65-104-SER	1.594" - 1.656"
15/32"	QCFC65-030-SER	0.438" - 0.500"	1.21/32"	QCFC65-106-SER	1.625" - 1.687"
1/2"	QCFC65-032-SER	0.469" - 0.531"	1.11/16"	QCFC65-108-SER	1.657" - 1.719"
17/32"	QCFC65-034-SER	0.500" - 0.562"	1.23/32"	QCFC65-110-SER	1.688" - 1.750"
9/16"	QCFC65-036-SER	0.532" - 0.594"	1.3/4"	QCFC65-112-SER	1.719" - 1.781"
19/32"	QCFC65-038-SER	0.563" - 0.625"	1.25/32"	QCFC65-114-SER	1.750" - 1.812"
5/8"	QCFC65-040-SER	0.594" - 0.656"	1.13/16"	QCFC65-116-SER	1.782" - 1.844"
21/32"	QCFC65-042-SER	0.625" - 0.687"	1.27/32"	QCFC65-118-SER	1.813" - 1.875"
11/16"	QCFC65-044-SER	0.657" - 0.719"	1.7/8"	QCFC65-120-SER	1.844" - 1.906"
23/32"	QCFC65-046-SER	0.688" - 0.750"	1.29/32"	QCFC65-122-SER	1.875" - 1.937"
3/4"	QCFC65-048-SER	0.719" - 0.781"	1.15/16"	QCFC65-124-SER	1.907" - 1.939"
25/32"	QCFC65-050-SER	0.750" - 0.812"	1.31/32"	QCFC65-126-SER	1.938" - 2.000"
13/16"	QCFC65-052-SER	0.782" - 0.844"	2"	QCFC65-128-SER	1.969" - 2.031"
27/32"	QCFC65-054-SER	0.813" - 0.875"	2.1/32"	QCFC65-130-SER	2.000" - 2.062"
7/8"	QCFC65-056-SER	0.844" - 0.906"	2.1/16"	QCFC65-132-SER	2.032" - 2.094"
29/32"	QCFC65-058-SER	0.875" - 0.937"	2.3/32"	QCFC65-134-SER	2.063" - 2.125"
15/16"	QCFC65-060-SER	0.907" - 0.969"	2.1/8"	QCFC65-136-SER	2.094" - 2.156"
31/32"	QCFC65-062-SER	0.938" - 1.000"	2.5/32"	QCFC65-138-SER	2.125" - 2.187"
1"	QCFC65-064-SER	0.969" - 1.031"	2.3/16"	QCFC65-140-SER	2.157" - 2.219"
1.1/32"	QCFC65-066-SER	1.000" - 1.062"	2.7/32"	QCFC65-142-SER	2.188" - 2.250"
1.1/16"	QCFC65-068-SER	1.032" - 1.094"	2.1/4"	QCFC65-144-SER	2.219" - 2.281"
1.3/32"	QCFC65-070-SER	1.063" - 1.125"	2.9/32"	QCFC65-146-SER	2.250" - 2.312"
1.1/8"	QCFC65-072-SER	1.094" - 1.156"	2.5/16"	QCFC65-148-SER	2.282" - 2.344"
1.5/32"	QCFC65-074-SER	1.125" - 1.187"	2.11/32"	QCFC65-150-SER	2.313" - 2.375"
1.3/16"	QCFC65-076-SER	1.157" - 1.219"	2.3/8"	QCFC65-152-SER	2.344" - 2.406"
1.7/32"	QCFC65-078-SER	1.188" - 1.250"	2.13/32"	QCFC65-154-SER	2.375" - 2.437"
1.1/4"	QCFC65-080-SER	1.219" - 1.281"	2.7/16"	QCFC65-156-SER	2.407" - 2.469"
1.9/32"	QCFC65-082-SER	1.250" - 1.312"	2.15/32"	QCFC65-158-SER	2.438" - 2.500"
1.5/16"	QCFC65-084-SER	1.282" - 1.344"	2.1/2"	QCFC65-160-SER	2.469" - 2.531"
1.11/32"	QCFC65-086-SER	1.313" - 1.375"	2.17/32"	QCFC65-162-SER	2.500" - 2.562"
1.3/8"	QCFC65-088-SER	1.344" - 1.406"	2.9/16"	QCFC65-164-SER	2.532" - 2.594"
1.13/32"	QCFC65-090-SER	1.375" - 1.437"			

SERIES 65 SERRATED & HEX QUICK CHANGE COLLETS

HEX COLLETS



- Precision broached to optimize centering of hex bar stock
- Heat Treated Alloy Structural Steel
- Collets are precision paired before rubber vulcanization process to optimize roundness and cylindrical accuracy
- Ideal for bar feeding any hex material

SERIES 65 HEX COLLETS			WRENCH PART # QCFC65-WRENCH		
SIZE	PART NUMBER	GRIP RANGE	SIZE	PART NUMBER	GRIP RANGE
5/16"	QCFC65-020-HEX	0.282" - 0.344"	15/16"	QCFC65-060-HEX	0.907" - 0.969"
3/8"	QCFC65-024-HEX	0.344" - 0.406"	1"	QCFC65-064-HEX	0.969" - 1.031"
7/16"	QCFC65-028-HEX	0.407" - 0.469"	1.1/8"	QCFC65-072-HEX	1.094" - 1.156"
1/2"	QCFC65-032-HEX	0.469" - 0.531"	1.1/4"	QCFC65-080-HEX	1.219" - 1.281"
9/16"	QCFC65-036-HEX	0.532" - 0.594"	1.3/8"	QCFC65-088-HEX	1.344" - 1.406"
5/8"	QCFC65-040-HEX	0.594" - 0.656"	1.1/2"	QCFC65-096-HEX	1.469" - 1.531"
11/16"	QCFC65-044-HEX	0.657" - 0.719"	1.5/8"	QCFC65-104-HEX	1.594" - 1.656"
3/4"	QCFC65-048-HEX	0.719" - 0.781"	1.3/4"	QCFC65-112-HEX	1.719" - 1.781"
13/16"	QCFC65-052-HEX	0.782" - 0.844"	1.7/8"	QCFC65-120-HEX	1.844" - 1.906"
7/8"	QCFC65-056-HEX	0.844" - 0.906"	2"	QCFC65-128-HEX	1.969" - 2.031"

QUICK CHANGE FLEX COLLETS

SMOOTH COLLETS



- Heat Treated to 60 HRC
- Wear Resistant Alloy Carbon Steel
- Ground Cam Relief allows for precision repeatability and accuracy of .0004" or better
- Collets are precision paired before rubber vulcanization process to optimize roundness and cylindrical accuracy

SERIES 80 SMOOTH COLLETS			WRENCH PART # QCFC80-WRENCH		
SIZE	PART NUMBER	GRIP RANGE	SIZE	PART NUMBER	GRIP RANGE
3/8"	QCFC80-024-SMO	0.344" - 0.406"	1.7/8"	QCFC80-120-SMO	1.844" - 1.906"
1/2"	QCFC80-032-SMO	0.469" - 0.531"	2"	QCFC80-128-SMO	1.969" - 2.031"
5/8"	QCFC80-040-SMO	0.594" - 0.656"	2.1/8"	QCFC80-136-SMO	2.094" - 2.156"
3/4"	QCFC80-048-SMO	0.719" - 0.781"	2.1/4"	QCFC80-144-SMO	2.219" - 2.281"
7/8"	QCFC80-056-SMO	0.844" - 0.906"	2.3/8"	QCFC80-152-SMO	2.344" - 2.406"
1"	QCFC80-064-SMO	0.969" - 1.031"	2.1/2"	QCFC80-160-SMO	2.469" - 2.531"
1.1/8"	QCFC80-072-SMO	1.094" - 1.156"	2.5/8"	QCFC80-168-SMO	2.594" - 2.656"
1.1/4"	QCFC80-080-SMO	1.219" - 1.281"	2.3/4"	QCFC80-176-SMO	2.719" - 2.781"
1.3/8"	QCFC80-088-SMO	1.344" - 1.406"	2.7/8"	QCFC80-184-SMO	2.844" - 2.906"
1.1/2"	QCFC80-096-SMO	1.469" - 1.531"	3"	QCFC80-192-SMO	2.969" - 3.031"
1.5/8"	QCFC80-104-SMO	1.594" - 1.656"	3.1/8"	QCFC80-200-SMO	3.094" - 3.156"
1.3/4"	QCFC80-112-SMO	1.719" - 1.781"	3.1/4"	QCFC80-208-SMO	3.219" - 3.281"

SERRATED COLLETS



- Hardened serrations provide strong gripping strength for aggressive roughing of material
- Lyndex-Nikken serration lengths inside the bore are longer than the competition, providing much stronger gripping force
- Collets are precision paired before rubber vulcanization process to optimize roundness and cylindrical accuracy
- Ideal for bar feeding applications

SERIES 80 SERRATED COLLETS			WRENCH PART # QCFC80-WRENCH		
SIZE	PART NUMBER	GRIP RANGE	SIZE	PART NUMBER	GRIP RANGE
5/8"	QCFC80-040-SER	0.594" - 0.656"	2"	QCFC80-128-SER	1.969" - 2.031"
3/4"	QCFC80-048-SER	0.719" - 0.781"	2.1/8"	QCFC80-136-SER	2.094" - 2.156"
7/8"	QCFC80-056-SER	0.844" - 0.906"	2.1/4"	QCFC80-144-SER	2.219" - 2.281"
1"	QCFC80-064-SER	0.969" - 1.031"	2.3/8"	QCFC80-152-SER	2.344" - 2.406"
1.1/8"	QCFC80-072-SER	1.094" - 1.156"	2.1/2"	QCFC80-160-SER	2.469" - 2.531"
1.1/4"	QCFC80-080-SER	1.219" - 1.281"	2.5/8"	QCFC80-168-SER	2.594" - 2.656"
1.3/8"	QCFC80-088-SER	1.344" - 1.406"	2.3/4"	QCFC80-176-SER	2.719" - 2.781"
1.1/2"	QCFC80-096-SER	1.469" - 1.531"	2.7/8"	QCFC80-184-SER	2.844" - 2.906"
1.5/8"	QCFC80-104-SER	1.594" - 1.656"	3"	QCFC80-192-SER	2.969" - 3.031"
1.3/4"	QCFC80-112-SER	1.719" - 1.781"	3.1/8"	QCFC80-200-SER	3.094" - 3.156"
1.7/8"	QCFC80-120-SER	1.844" - 1.906"	3.1/4"	QCFC80-208-SER	3.219" - 3.281"

Series 42, 65 & 80 metric sizes are available upon request. Contact us for details.

HEX COLLETS



- Heat Treated Alloy Structural Steel
- Ground Cam Relief allows for precision repeatability and accuracy of .0004" or better
- Collets are precision paired before rubber vulcanization process to optimize roundness and cylindrical accuracy

Emergency Collets*

3/4"	QCFC80-048-EMR
1.1/2"	QCFC80-096-EMR
2.1/2"	QCFC80-160-EMR



*Emergency Collets require a Boring Ring (QCFC80-EMR-RING) not included & sold separately.

SERIES 80 HEX COLLETS			WRENCH PART # QCFC80-WRENCH		
SIZE	PART NUMBER	GRIP RANGE	SIZE	PART NUMBER	GRIP RANGE
3/4"	QCFC80-048-HEX	0.719" - 0.781"	1.7/8"	QCFC80-120-HEX	1.844" - 1.906"
7/8"	QCFC80-056-HEX	0.844" - 0.906"	2"	QCFC80-128-HEX	1.969" - 2.031"
1"	QCFC80-064-HEX	0.969" - 1.031"	2.1/8"	QCFC80-136-HEX	2.094" - 2.156"
1.1/8"	QCFC80-072-HEX	1.094" - 1.156"	2.1/4"	QCFC80-144-HEX	2.219" - 2.281"
1.1/4"	QCFC80-080-HEX	1.219" - 1.281"	2.3/8"	QCFC80-152-HEX	2.344" - 2.406"
1.3/8"	QCFC80-088-HEX	1.344" - 1.406"	2.1/2"	QCFC80-160-HEX	2.469" - 2.531"
1.1/2"	QCFC80-096-HEX	1.469" - 1.531"	2.5/8"	QCFC80-168-HEX	2.594" - 2.656"
1.5/8"	QCFC80-104-HEX	1.594" - 1.656"	2.3/4"	QCFC80-176-HEX	2.719" - 2.781"
1.3/4"	QCFC80-112-HEX	1.719" - 1.781"			

SERIES 80 HEX QUICK CHANGE COLLETS

TAPER-TO-TAPER CHUCK ADAPTERS PRODUCT FEATURES

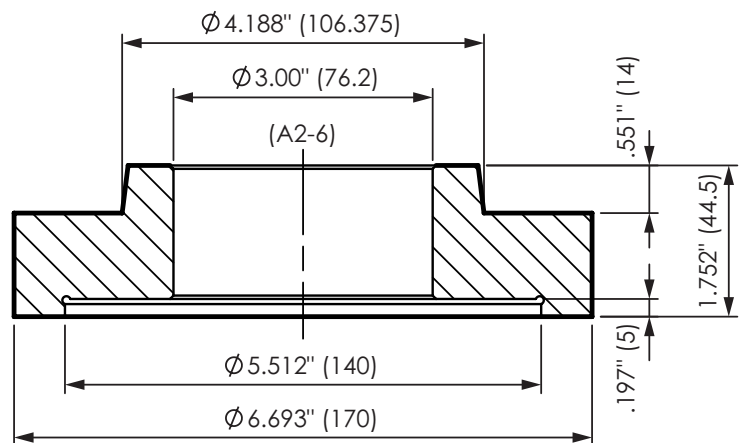
- Add another level of flexibility to your set-up.
- Made from 8620 Alloy Steel.
- Hardened to 50~55 HRC.
- All adapter plates made per ISO 702.
- Precision ground for high accuracy.



140 FLAT TO A2-6



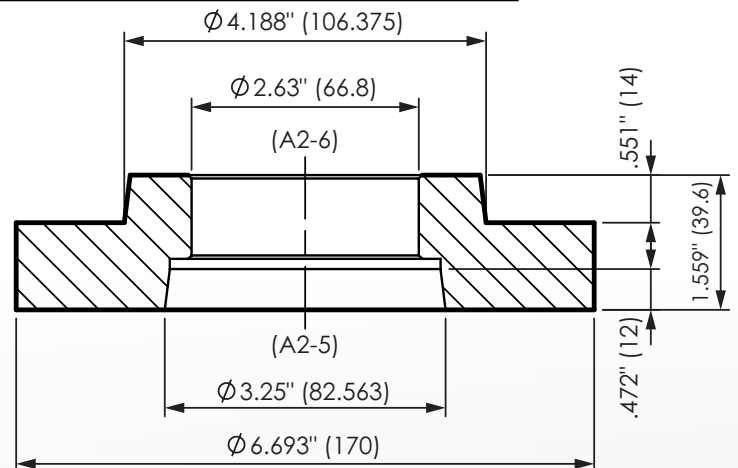
Part # QCC-ADAPTER-140-A6



A2-5 TO A2-6



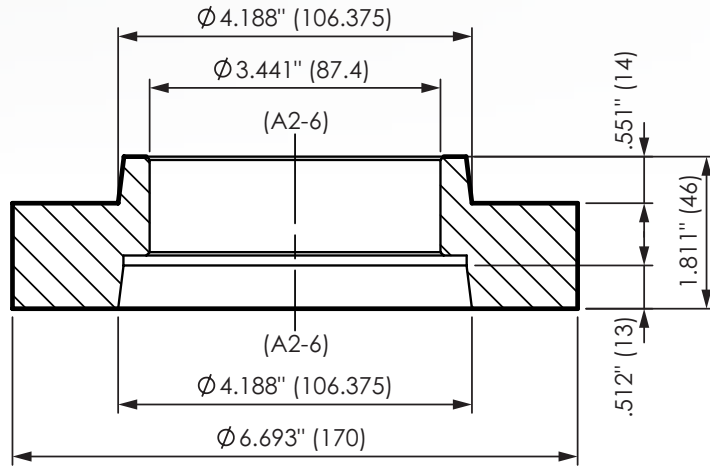
Part # QCC-ADAPTER-A5-A6



A2-6 TO A2-6 EXTENSION



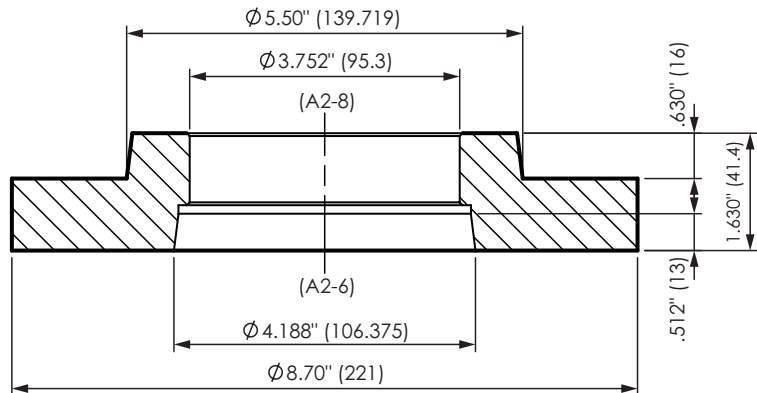
Part # QCC-ADAPTER-A6-A6



A2-6 TO A2-8



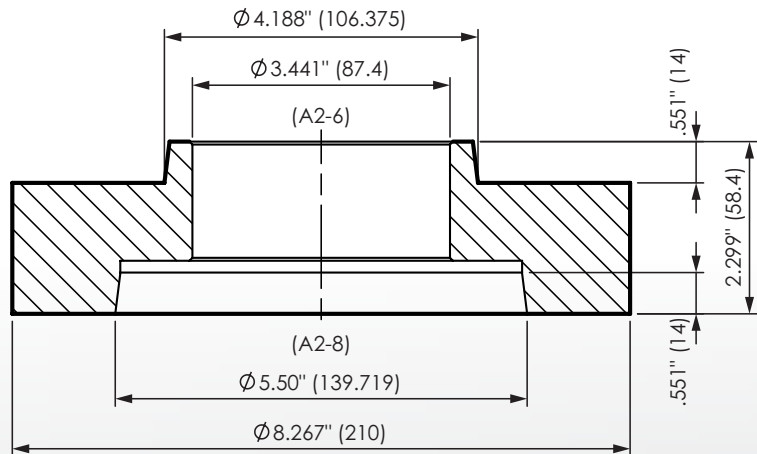
Part # QCC-ADAPTER-A6-A8



A2-8 TO A2-6

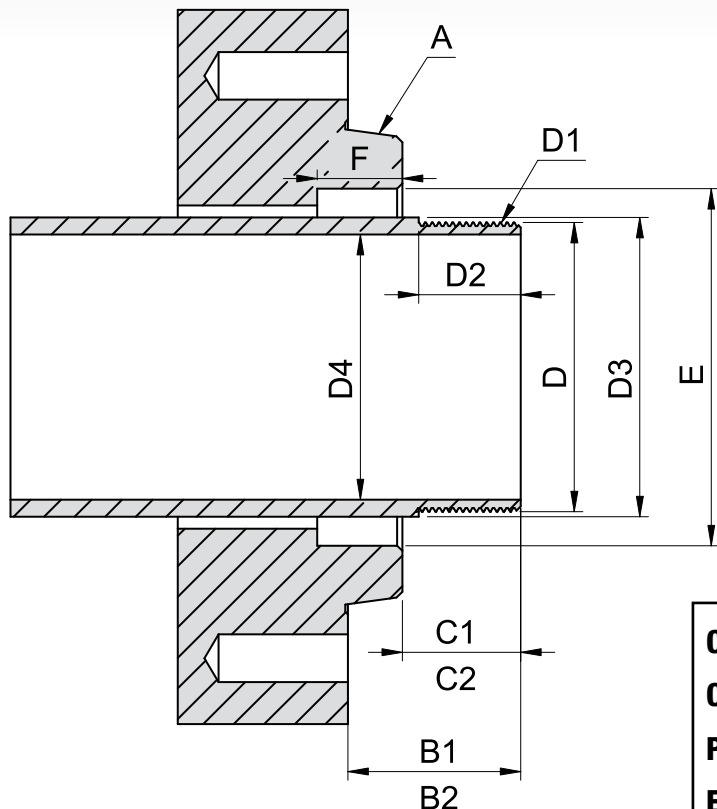


Part # QCC-ADAPTER-A8-A6



TAPER TO TAPER CHUCK ADAPTERS

LATHE SPINDLE INFORMATION FORM



A custom draw tube adapter is needed to connect your new chuck to the machine. To make this adapter we will need some measurements from the machine to ensure the proper fit and stroke is achieved.

Remove the existing chuck from the spindle face prior to taking measurements. Make sure the draw tube is fully seated in the actuator prior to taking measurements. If you have any questions regarding taking these measurements, please contact us.

For more detailed information or support, please contact one of our applications engineers at (847) 367-4800.

Company:	_____
Customer Name:	_____
Phone Number:	_____
E-mail:	_____

LATHE SPINDLE INFORMATION FORM

Machine (Make & Model): _____

Actuator (Make & Model): _____

A - Spindle Type & Size: _____

B1 (Extended): _____

B2 (Retracted): _____

C1 (Extended): _____

C2 (Retracted): _____

D - Thread Diameter: _____

D1 - Pitch: _____

D2 - Length of Thread: _____

Internal / External: _____

D3 - Draw Tube O.D.: _____

D4 - Draw Tube I.D.: _____

E - Counterbore I.D.: _____

F - Counterbore Depth: _____

YOUR NEW WORKHOLDING SOLUTION!

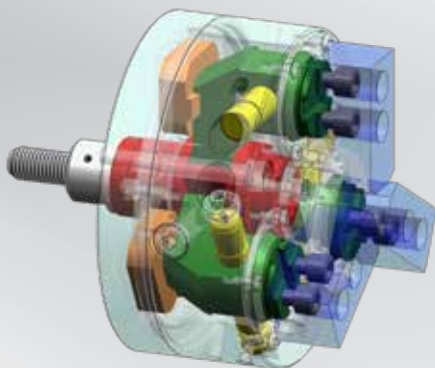


HIGH QUALITY. HIGH DURABILITY. HIGH PRECISION

A wide selection of 2-Jaw, 3-Jaw and Specialty Chucks designed to handle any workholding challenge!



Visit our website
to download
the catalog >



HYDRAULIC POWER CHUCK FEATURES

- Low maintenance, high performance
- Capable of clamping over workpieces with uneven surfaces and a large range of diameters
- Maintains powerful clamping at high RPM
- Large through hole bores available for bar feeding
- Fully sealed structure reduces frequent greasing and prevents coolant leaks

sales@lyndexnikken.com | www.lyndexnikken.com

For more information, call 847.367.4800



Connect with us on our social media channels!





ENGINEERED SOLUTIONS FOR EVERY INDUSTRY



1468 Armour Boulevard
Mundelein, IL 60060
Phone: 847.367.4800
Fax: 847.367.4815
sales@lyndexnikken.com
www.lyndexnikken.com